

The AMI is designed to provide an accurate method of determining the moisture content of a system's refrigerant. The AMI has a unique high accuracy moisture indicator for CFC, HCFC and HFC refrigerants. For the AMI-2 Series, see the bottom of the following page.

## Features

- Highest sensitivity moisture indicator available
- Take-Apart design for easy repair
- Single indicator for all common refrigerants
- Accurate color calibration at low ppm levels and higher temperatures
- Wide angle viewing/high visibility window for ease of monitoring
- Solid copper connections



## Specifications

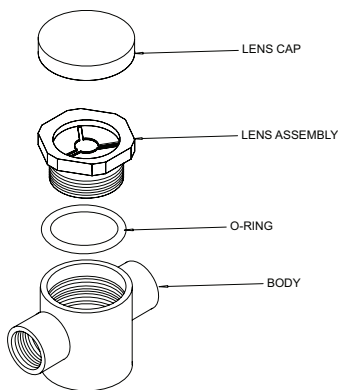
- Maximum working pressure: 650 psig
- UL/CUL file number: SA 9566

## Nomenclature example: AMI 1SS4

AMI	1	SS	4
Moisture Indicator Series	Design Series 1 = standard connection 2 = bushing style	Connection Style TT = Sweat x Sweat	Connection Size (in 1/8")

## Replacement Parts For AMI

PCN	Part	Number
021371	Lenscap	12740-1
020877	"O" Ring	PS1525-2
027511	Lens Assembly Kit (Consists of lens assembly, lens cap and "O" ring)	X12978-1



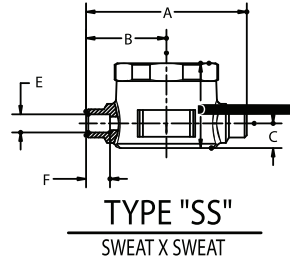
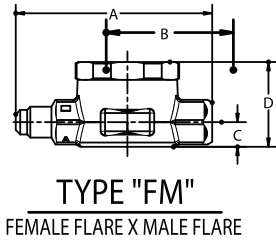
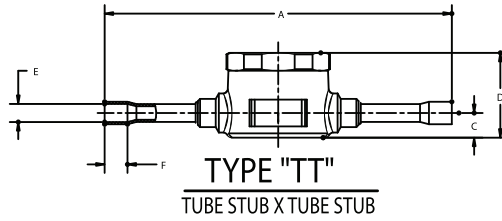
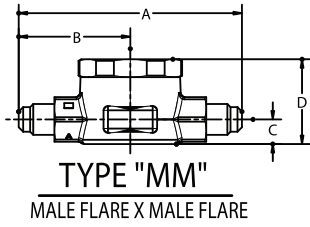
## Ordering Information

PCN	Description	Series	Connection Size
048803	AMI-1MM2	Male Flare x Male Flare	1/4
048804	AMI-1MM3		3/8
048805	AMI-1MM4		1/2
048806	AMI-1MM5		5/8
048811	AMI-1SS2		1/4
048812	AMI-1SS3	Sweat x Sweat (OD Female)	3/8
048813	AMI-1SS4		1/2
048814	AMI-1SS5		5/8
048815	AMI-1SS7		7/8
048816	AMI-1SS9		1 1/8
047298	AMI-1TT2 EXTENDED ENDS		1/4
042771	AMI-1TT3 EXTENDED ENDS		3/8
022302	AMI-1TT4 EXTENDED ENDS		1/2
031136	AMI-1TT5 EXTENDED ENDS		5/8
031357	AMI-1TT7 EXTENDED ENDS		7/8
031578	AMI-1TT9 EXTENDED ENDS	1 1/8	
048800	AMI-1FM2	Female Flare x Male Flare	1/4
048801	AMI-1FM3		3/8
048802	AMI-1FM4		1/2

## Moisture Content Color Code (ppm H<sub>2</sub>O)

Indication Liquid Temperature	Dry (Dark Blue)			Caution (Purple)			Wet (Salmon)		
	75°F	100°F	125°F	75°F	100°F	125°F	75°F	100°F	125°F
R-12	1.4	2.5	4	5	9	15	25	43	70
R-134A	20	35	60	35	55	85	130	160	190
R-22	25	35	50	40	65	90	145	205	290
R-407C	26	40	64	42	68	109	150	230	370
R-410A	30	55	75	50	85	120	165	290	420
R-404A/507	15	25	45	33	50	80	120	150	180

## Dimensional Data



## Dimensional Data (in)

Description	Connection Size	A	B	C	D	E	F Min.	G	H	J	K
AMI-1MM2	1/4 SAE	3.13	1.56	0.34	1.19						
AMI-1MM3	3/8 SAE	3.38	1.69								
AMI-1MM4	1/2 SAE	3.63	1.81								
AMI-1MM5	5/8 SAE	3.88	1.94								
AMI-1FM2	1/4 SAE	2.75	1.19	0.47	1.44						
AMI-1FM3	3/8 SAE	3.00	1.31								
AMI-1FM4	1/2 SAE	3.22	1.41								
AMI-1SS2	1/4 ODF	2.25	1.13								0.34
AMI-1SS3	3/8 ODF			0.38	.32						
AMI-1SS4	1/2 ODF			0.50	.38						
AMI-1SS5	5/8 ODF			0.63	.50						
AMI-1SS7	7/8 ODF	3.13	1.56	0.61	1.75	0.88	.76				
AMI-1SS9	1 1/8 ODF	3.38	1.69	0.67	1.92	1.13	.90				
AMI-1TT2	1/4 ODF	4.89		0.34	1.19	.25	.32				
AMI-1TT3	3/8 ODF					0.38	.32				
AMI-1TT4	1/2 ODF					4.92	0.47	1.44	0.50	.38	
AMI-1TT5	5/8 ODF					4.91			0.63	.50	
AMI-1TT7	7/8 ODF	6.36	0.61	1.75	0.88	.76					
AMI-1TT9	1 1/8 ODF	6.59	0.67	1.92	1.125	.90					
AMI-2S5	5/8 ODM				1.41			1.16		.50	.625
AMI-2S7	7/8 ODM				1.34			1.09		.75	.875
AMI-2S9	1 1/8 ODM				1.25			1.00		1.00	1.13
AMI-2S11	1 3/8 ODF				1.56			1.31	1.38		
AMI-2S13	1 5/8 ODF				1.69			1.44	1.63		
AMI-2S17	2 1/8 ODF				1.94			1.69	2.16		

## AMI-2 Series Dimensions (in)

PCN	Description	Connection Size	A Dia.	B	C
064857	AMI-2S5	5/8 ODM	0.63	1.40	1.17
064167	AMI-2S7	7/8 ODM	0.88	1.34	1.00
064168	AMI-2S9	1 1/8 ODM	1.13	1.25	1.00
022303	AMI-2S11	1 3/8 ODM	1.38	1.56	1.94
028388	AMI-2S13	1 5/8 ODM	1.63	1.69	1.44
031219	AMI-2S17	2 1/8 ODM	2.13	1.94	1.69

